

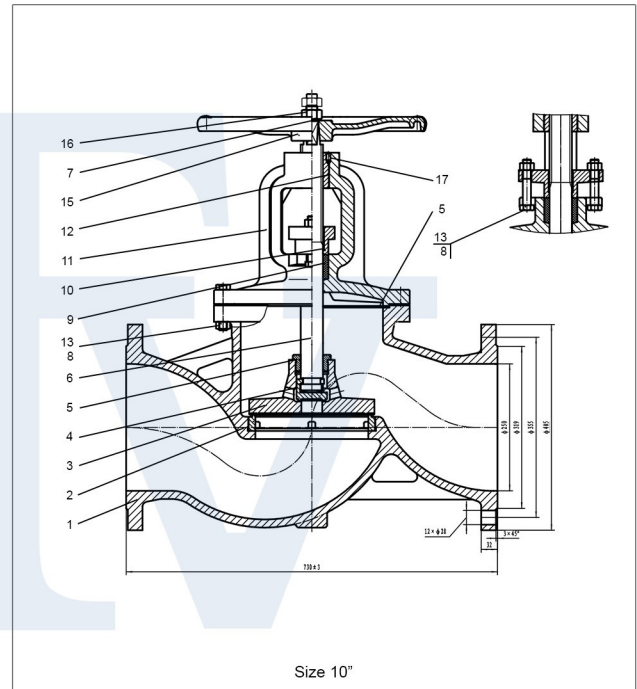
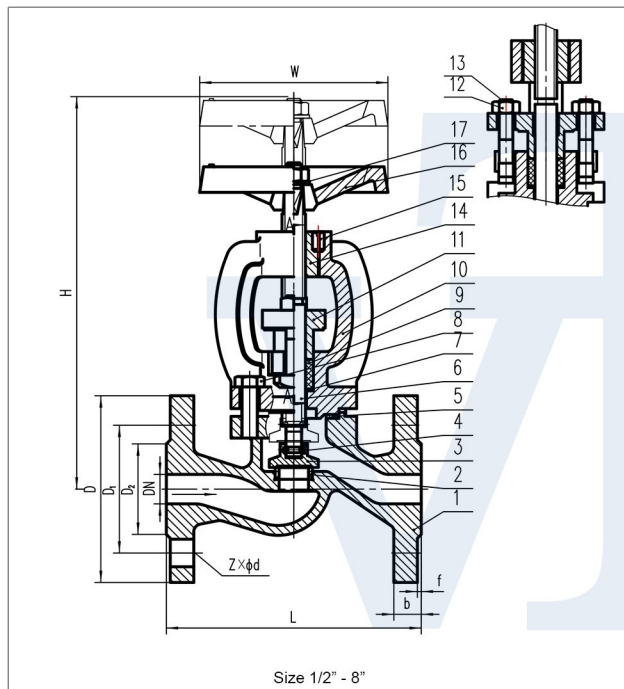
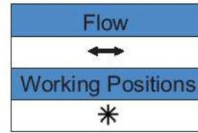
MODEL : GBV-201 [DIN Globe Valve]



Connection : Flange PN 16

◆ DESCRIPTION

| | |
|-----------------|---|
| Design | : DIN 3356 |
| Face to face | : DIN 3202 |
| Flanges | : DIN 2501 DIN 2547 DIN 2526 FORM E BW TO DIN 3239 |
| Testing | : DIN 3352 DIN 3230 |
| Rating P - T | : DIN 2401 |
| Suitable Medium | : W.O.G |



◆ MATERIAL LIST

| No. | Parts | material | |
|-----|-----------------------------|---|----------------------|
| | | Size 1/2" - 8" | Size 10" |
| 1 | Body | CI GJL-250 | GG25 |
| 2 | Body/Seat Ring | SS 2Cr13 | 2Cr13 |
| 3 | Disc/Disc Ring | DN15-DN65 SS2Cr13 DN15 DN65 STEEL A105+SS2CR13 | A105 |
| 4 | Little Disc | - | 2Cr13 |
| 4 | Ring | SS 304 | - |
| 5 | Disc Cover | - | Q235 |
| 5 | Gasket | STEEL#8 + GRAPHITE | 08+Flexible Graphite |
| 6 | Stem | SS 2Cr13 | 2Cr13 |
| 7 | Washer | STEEL | Q235 |
| 8 | Bolt | STEEL | 35 |
| 9 | Packing | GRAPHITE | FLEXIBLE GRAPHITE |
| 10 | Bonnet | CI GJL-250 | GG25 |
| 11 | Gland | CI GJL-250 | QT450 |
| 12 | T Bolt | STEEL | - |
| 12 | York Nut | - | Brass |
| 13 | Bolt | STEEL | 35 |
| 13 | Nut | BRONZE | 25 |
| 14 | Pin | STEEL | - |
| 15 | Handwheel | DUCTILE IRON | QT450-10 |
| 16 | Hexagonal Nut | - | 25 |
| 17 | Slotted flat end set screws | - | 35 |

◆ DIMENSIONS (mm)

| DN | L | D | D1 | D2 | b-f | Kg |
|-----|-----|-----|-----|-----|------|--------|
| 15 | 130 | 95 | 65 | 46 | 14-2 | 3.1 |
| 20 | 150 | 105 | 75 | 56 | 16-2 | 3.87 |
| 25 | 160 | 115 | 85 | 65 | 16-2 | 4.95 |
| 32 | 180 | 140 | 100 | 76 | 18-2 | 7.9 |
| 40 | 200 | 150 | 110 | 84 | 18-2 | 9.32 |
| 50 | 230 | 165 | 125 | 99 | 20-2 | 14.13 |
| 65 | 290 | 185 | 145 | 120 | 20-2 | 19.42 |
| 80 | 310 | 200 | 160 | 132 | 22-2 | 28.77 |
| 100 | 350 | 220 | 180 | 156 | 24-2 | 38.27 |
| 125 | 400 | 250 | 210 | 184 | 26-2 | 60.2 |
| 150 | 480 | 285 | 240 | 211 | 26-2 | 78.7 |
| 200 | 600 | 340 | 295 | 266 | 30-2 | 122.27 |
| 250 | 730 | 405 | 355 | 319 | 32-2 | 208 |

*Optional : SS304 | SS316

Specification is subject to change without prior notice

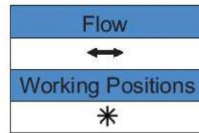
MODEL : GBV-201 | DIN Globe Valve |



Connection : Flange PN 40

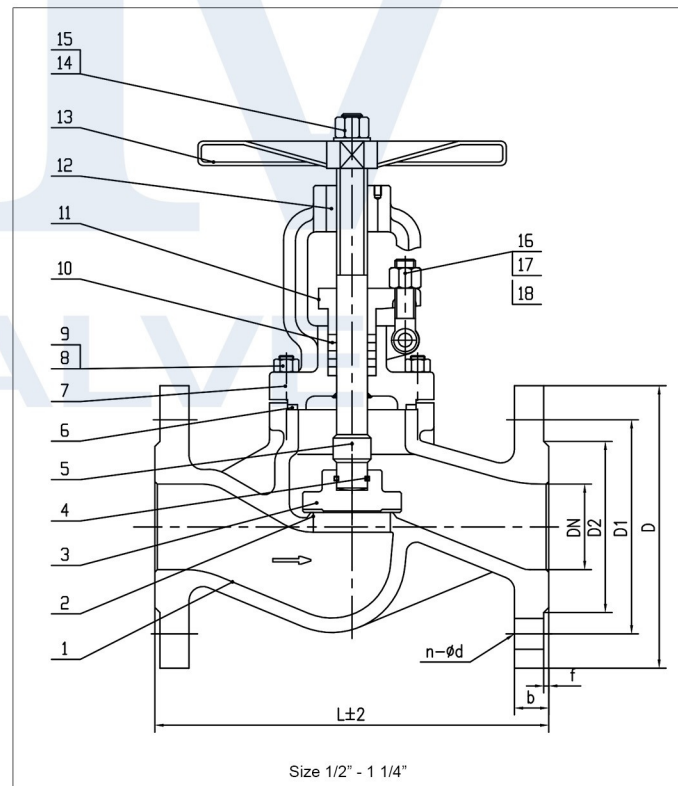
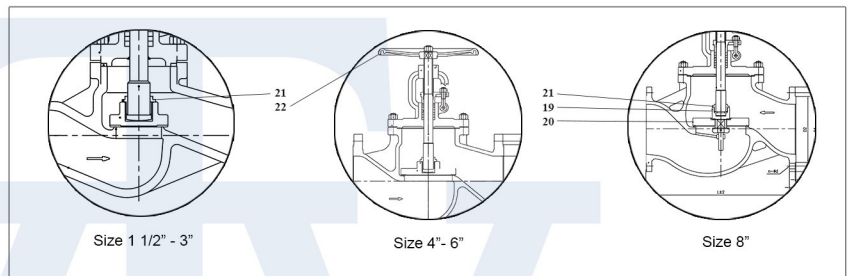
DESCRIPTION

Design : DIN 3356
 Face to face : DIN 3202
 Flanges : DIN 2501
 DIN 2547
 DIN 2526 FORM E
 BW TO DIN 3239
 Testing : DIN 3352
 DIN 3230
 Rating P - T : DIN 2401
 Suitable Medium : W.O.G



MATERIAL LIST

| No. | Parts | material |
|-----|--------------|-----------------|
| 1 | Body | GS-C25 |
| 2 | Seat | GS-C25+13Cr |
| 3 | Disc | 2cr13/A105+13Cr |
| 4 | Ball | SS304 |
| 5 | Stem | 2Cr13 |
| 6 | Gasket | SS304+GRAPHITE |
| 7 | Bonnet | GS-C25 |
| 8 | Bolt | A193 B7 |
| 9 | Nut | A194 2H |
| 10 | Packing | GRAPHITE |
| 11 | Gland Flange | GS-C25 |
| 12 | Stem Nut | COPPER |
| 13 | Handwheel | 1025 |
| 14 | Washer | 13CR |
| 15 | Nut | A194 2H |
| 16 | Eye bolt | A193 B7 |
| 17 | Nut | A194 2H |
| 18 | Pin | 1035 |
| 19 | Inner Disc | A105+13CR |
| 20 | Outer Disc | A105+13CR |
| 21 | Cap | 1035 |
| 22 | Handwheel | KTH330 |



DIMENSIONS (mm)

| DN | L | D | D1 | D2 | b-f | Kg |
|-----|-----|-----|-----|-----|------|-------|
| 15 | 130 | 95 | 65 | 45 | 16-2 | 4.3 |
| 20 | 150 | 105 | 75 | 58 | 18-2 | 4.83 |
| 25 | 160 | 115 | 85 | 68 | 18-2 | 6.06 |
| 32 | 180 | 140 | 100 | 78 | 18-2 | 7.8 |
| 40 | 200 | 150 | 110 | 84 | 18-2 | 10.71 |
| 50 | 230 | 165 | 125 | 88 | 18-3 | 13.52 |
| 65 | 290 | 185 | 145 | 122 | 20-3 | 20.45 |
| 80 | 310 | 200 | 160 | 138 | 22-3 | 26.49 |
| 100 | 350 | 235 | 190 | 162 | 24-3 | 44.53 |
| 125 | 400 | 270 | 220 | 188 | 26-3 | 67.21 |
| 150 | 480 | 300 | 250 | 218 | 28-3 | 91 |
| 200 | 600 | 375 | 320 | 285 | 34-3 | 136 |

Specification is subject to change without prior notice